

Mounting Base



Regular 4"

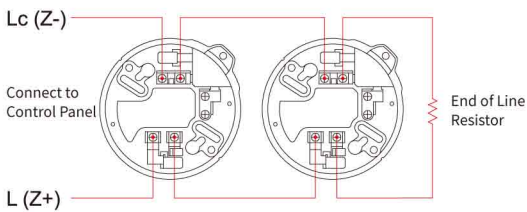


Large 6"

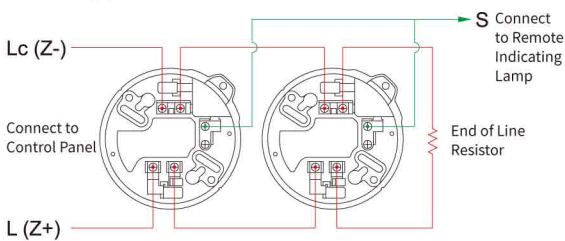
Design Characteristics

- Major advantage of using the compatible mounting base is to avoid wasting time selecting proper detectors for various purposes and be able to install the base quickly and continuously. Afterwards, just plug-in proper detector head to complete the project.
- Large 6" mounting base is basically designed to match the entire decoration design.
- Applies to model nos. AH-9315, AHR-871, AH-9920, and AH-0014.

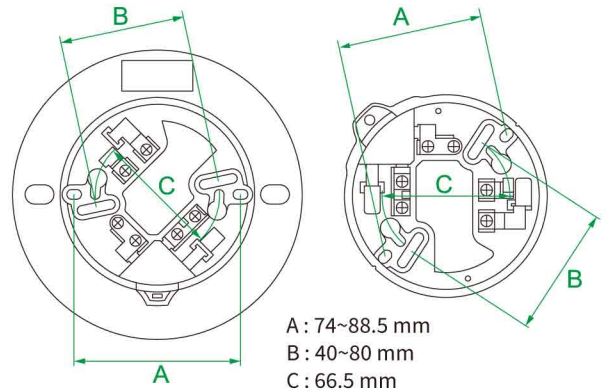
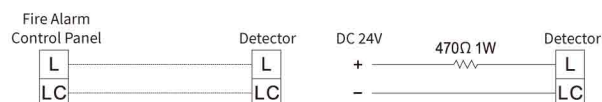
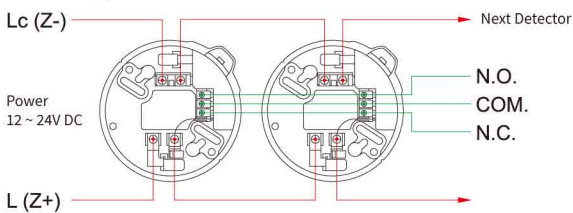
2-Wire Type (Regular)



3-Wire Type (Signal Transfer)



4-Wire Type (Relay Output) Contact Ratings 0.8A @30V DC 0.4A @125V AC



Order information

| Regular 4" | | | |
|------------|---------|---------|---------|
| Model | AHMB-L | AHMB-L3 | AHMB-L4 |
| Type | 2-wire | 3-wire | 4-wire |
| Large 6" | | | |
| Model | AHMB-62 | AHMB-63 | AHMB-64 |
| Type | 2-wire | 3-wire | 4-wire |

